

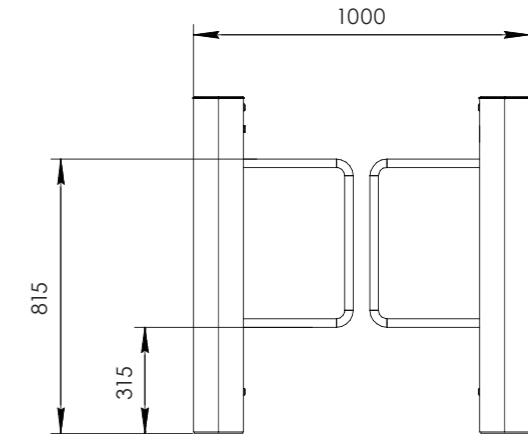
Porta Breeze

Porta Breeze is an improved model in Porta turnstile product line that proved itself to be good. The turnstile has simpler mechanism, updated controller and extended operating conditions. Stylish design allows to manage access control in enterprises, office buildings, business centers, banks, etc. Up-to-date materials and design improvements ensure reliable operation of the turnstile in any climatic conditions. Porta Breeze is a modern solution to manage access control outdoors. It has proved its faultless performance under extended temperature range and high humidity conditions.



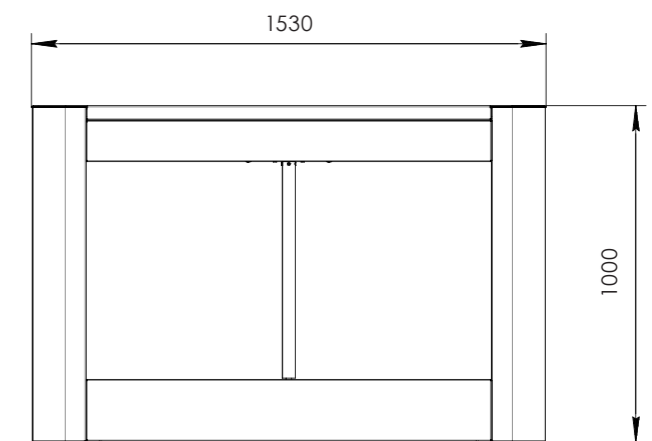
Features:

- Turnstile design provides reliable operation in any weather environment
- The turnstile can be intuitively controlled by external control panel as well as external controller of the access control system
- Inside the turnstile there is place to install readers for contactless cards of popular formats and if needed 1D/2D bar-code scanners
- Turnstile controller is equipped with RS485 interface for connection of external access control systems and allows to develop software for the turnstile control using standard control protocols
- The turnstile is a new model in Porta turnstile product line that has proved itself good and has simpler mechanism, updated controller and extended operating conditions



Design options:

Casing:	polished stainless steel
	brushed stainless steel
Flaps:	flaps made of acryl
	flaps made of corrosion-resistant tubes

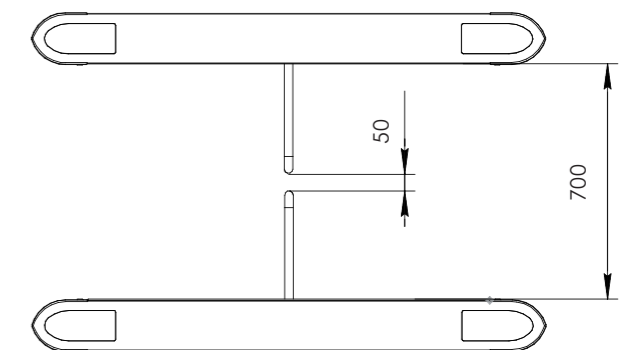


Overall dimensions:

Post height	1000 mm
Post length	1530 mm
Post width	155 mm
Passage width	700 mm
Post weight	38 kg

Specifications:

DC power supply	24 ± 15%
Power consumption (max)	25 W
Capacity	30 persons/min
Working temperatures	-20...+45°C
Dust and water protection rating	IP 54



Swing turnstile
the aisle is blocked by means of swing flaps



Outdoor solution
environment resistant, ready for operation in uncongential climate conditions



Modern design
luxury turnstile, high quality of assembly and materials

